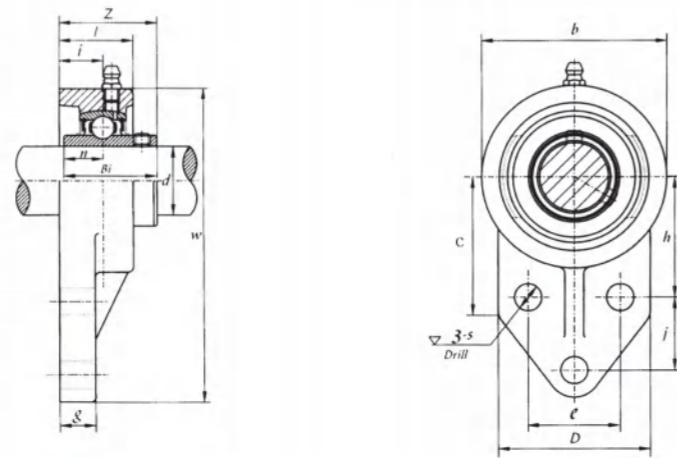


悬挂式座
Flange Bracket Units

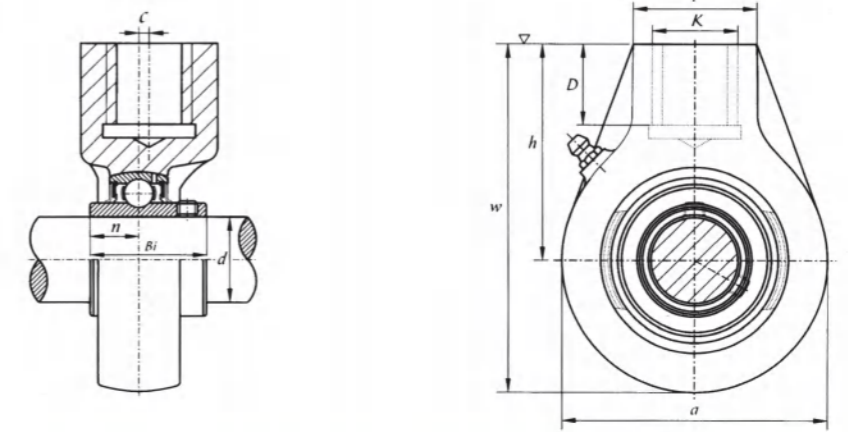
UCFB 200 (normal-duty)



带座轴承代号 Bearing Unit No.	轴 径 Shaft Dia.		外形尺寸(毫米) Dimensions (mm)														螺 栓 Bolt Used		Bearing No.	Housing No.	重量 Weight (kg)
	d (in.)	(mm)	w	b	c	D	l	s	g	h	j	e	i	z	Bi	n	(mm)	(in.)			
UCFB201 201-8	1/2	12	110	62	52	52	25.5	10	13	42	27	32	15	31.8	31.0	12.7	M8	5/16	UC201 201-8	FB201	0.64
UCFB202 202-10	5/8	15	110	62	52	52	25.5	10	13	42	27	32	15	31.8	31.0	12.7	M8	5/16	UC202 202-10	FB202	0.64
UCFB203 203-11	11/16	17	110	62	52	52	25.5	10	13	42	27	32	15	31.8	31.0	12.7	M8	5/16	UC203 203-11	FB203	0.64
UCFB204-12 204	3/4	20	110	62	52	52	25.5	10	13	42	27	32	15	31.8	31.0	12.7	M8	5/16	UC204-12 204	FB204	0.64
UCFB205-14 205-15 205 205-16	7/8 15/16 1	25	116	68	52	56	27	10	13	45	27	34	16	34.7	34	14.3	M8	5/16	UC205-14 205-15 205 205-16	FB205	0.68
UCFB206-18 206 206-19 206-20	1 1/8 1 3/16 2	30	132	80	55	65	31	10	13	50	32	40	18	39.2	38.1	15.9	M8	5/16	UC206-18 206 206-19 206-20	FB206	0.92
UCFB207-20 207-21 207-22 207 207-23	1 1/4 1 5/16 1 3/8 1 7/16	35	144	90	62	70	34	10	15	55	32	46	19	44.4	42.9	17.5	M8	5/16	UC207-20 207-21 207-22 207 207-23	FB207	1.3
UCFB208-24 208-25 208	1 1/2 1 9/16	40	164	100	72	78	36	12	16	60	41	50	21	51.2	49.2	19	M10	3/8	UC208-24 208-25 208	FB208	1.8
UCFB209-26 209-27 209-28 209	1 5/8 1 11/16 1 3/4	45	175	106	76	80	38	12	18	65	43	54	22	52.2	49.2	19	M10	3/8	UC209-26 209-27 209-28 209	FB209	2.0
UCFB210-30 210-31 210 210-32	1 7/8 1 15/16 2	50	184	114	82	86	40	12	18	68	46	58	22	54.6	51.6	19	M10	3/8	UC210-30 210-31 210 210-32	FB210	2.3

悬吊式座
Screw Conveyor Hanger Units

UCHA 200 (normal-duty)



带座轴承代号 Bearing Unit No.	轴 径 Shaft Dia.		外形尺寸(毫米) Dimensions (mm)										Bearing No.	Housing No.	重量 Weight (kg)
	d (in.)	(mm)	a	w	c	h	l	D	K	Bi	n				
UCHA201 201-8	1/2	12	64	96	0	64	40	19	G3/4	31.0	12.7	UC201 201-8	HA201	0.77	
UCHA202 202-10	5/8	15	64	96	0	64	40	19	G3/4	31.0	12.7	UC202 202-10	HA202	0.77	
UCHA203 203-11	11/16	17	64	96	0	64	40	19	G3/4	31.0	12.7	UC203 203-11	HA203	0.77	
UCHA204-12 204	3/4	20	64	96	0	64	40	19	G3/4	31.0	12.7	UC204-12 204	HA204	0.77	
UCHA205-14 205-15 205 205-16	7/8 15/16 1	25	78	103	0	64	40	19	G3/4	34	14.3	UC205-14 205-15 205 205-16	HA205	0.87	
UCHA206-18 206 206-19 206-20	1 1/8 1 3/16 1 1/4	30	78	103	0	64	40	19	G3/4	38.1	15.9	UC206-18 206 206-19 206-20	HA206	0.83	
UCHA207-20 207-21 207-22 207 207-23	1 1/4 1 5/16 1 3/8 1 3/16	35	92	116	0	70	40	19	G3/4	42.9	17.5	UC207-20 207-21 207-22 207 207-23	HA207	1.2	
UCHA208-24 208-25 208	1 1/2 1 9/16	40	96	121	2	73	40	19	G3/4	49.2	19.0	UC208-24 208-25 208	HA208	1.3	
UCHA209-26 209-27 209-28 209	1 5/8 1 11/16 1 3/4	45	108	136	5	82	48	21	G1	49.2	19	UC209-26 209-27 209-28 209	HA209	1.7	
UCHA210-30 210-31 210 210-32	1 7/8 1 15/16 2	50	118	142	5	83	48	21	G1	51.6	19.0	UC210-30 210-31 210 210-32	HA210	2.1	
UCHA211-32 211-34 211 211-35	2 2 1/8 2 3/16	55	126	150	7	95	60	25	G1 1/4	55.6	22.2	UC211-32 211-34 211 211-35	HA211	2.8	
UCHA212-36 212 212-38 212-39	2 1/4 2 3/8 2 7/16	60	142	173	9	102	60	28	G1 1/4	65.1	25.4	UC212-36 212 212-38 212-39	HA212	3.9	
UCHA213-40 213	2 1/2	65	166	200	9.5	117	70	32	G1 1/2	65.1	25.4	UC213-40 213	HA213	5.8	
UCHA214-44 214	2 3/4	70	166	200	9.5	117	70	32	G1 1/2	74.6	30.2	UC214-44 214	HA214	5.9	
UCHA215 215-47 215-48	2 15/16 3	75	166	200	9.5	117	70	32	G1 1/2	77.8	33.3	UC215 215-47 215-48	HA215	5.6	